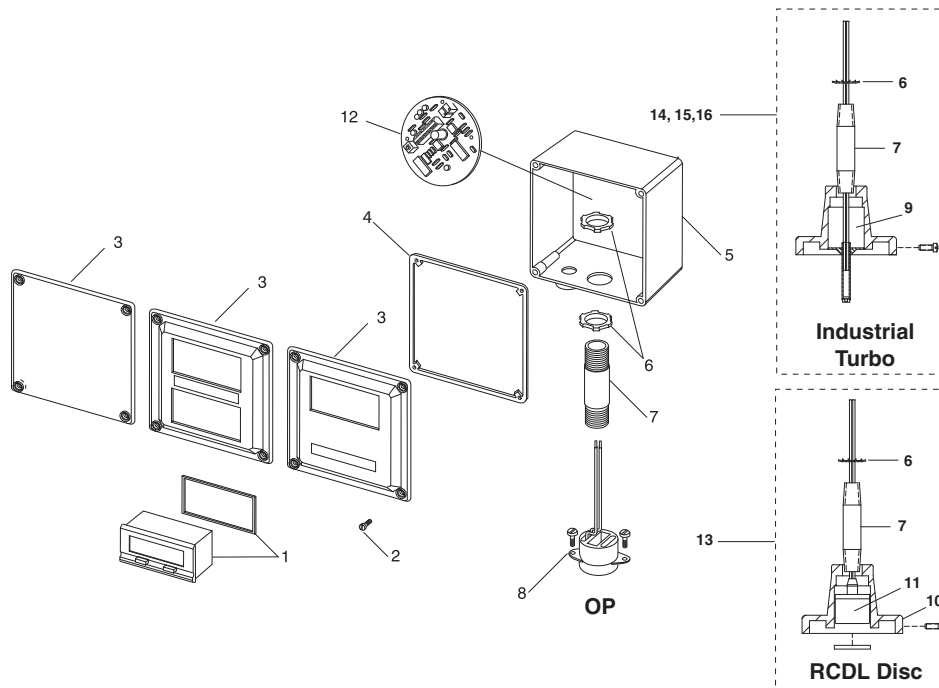


**Model ER-6  
(Remote Totalizer Only)  
Models ER-8, ER-9 and ER-10  
Meter Mount and Remote**

**Digital Resettable Totalizer and  
Digital Rate of Flow Indicator**

**Repair  
Parts**



ITEM NO.	PART DESCRIPTION	PART NUMBER	ITEM NO.	PART DESCRIPTION	PART NUMBER
1	ER-6 Register (with gasket)	63019-001	9	Adapter Assy Complete	
1	ER-9 Register (with gasket)	62822-002		with pickup, 2" & 3" Turbo	62897-001
1	ER-10 Register (with gasket)	65637-001	9	Adapter Assy Complete	
	Battery (ER-6, ER-8 & ER-9), 3V Lithium	62576-001		with pickup, 4" Turbo	62897-002
	Battery (ER-10) 3V Lithium	65765-001	9	Adapter Assy Complete	
2	Cover Screw	55048-172		with pickup, 6" Turbo	62897-003
3	Cover (Blank)	62118-009	10	Adapter Assy with screw (Disc)	62897-005
3	Cover (Single)	62118-001	11	Reed Switch Pickup Assy	
3	Cover (Dual)	62118-006		(Disc) with pad	62897-004
4	Housing Gasket	59833-001	12	4-20 mA PC Board	64199-001
5	Housing (Meter Mount)	62233-002	13	RCDL Mount Assembly	63152-001
5	Housing (Remote); including remote screws and bracket	62918-001	14	2" & 3" Turbo Meter Assembly	63152-002
6	Conduit Nut	62027-001	15	4" Turbo Meter Assembly	63152-003
7	Drop Pipe	14711-131	16	6" Turbo Meter Assembly	63152-004
8	Reed Switch Assy- 1/2" OP	62719-001			
8	Reed Switch Assy- 1" & 2" OP	62704-001			

**IRP-070-05**

Part No. 53401-070

3-09



Please see our website at  
[www.badgermeter.com](http://www.badgermeter.com)  
for specific contacts.



**BadgerMeter, Inc.**

P.O. Box 245036, Milwaukee, WI 53224-9536

Telephone: (414) 355-0400 / (800) 243-1010

Fax: (414) 355-7499 / (866) 613-9305

[www.badgermeter.com](http://www.badgermeter.com)