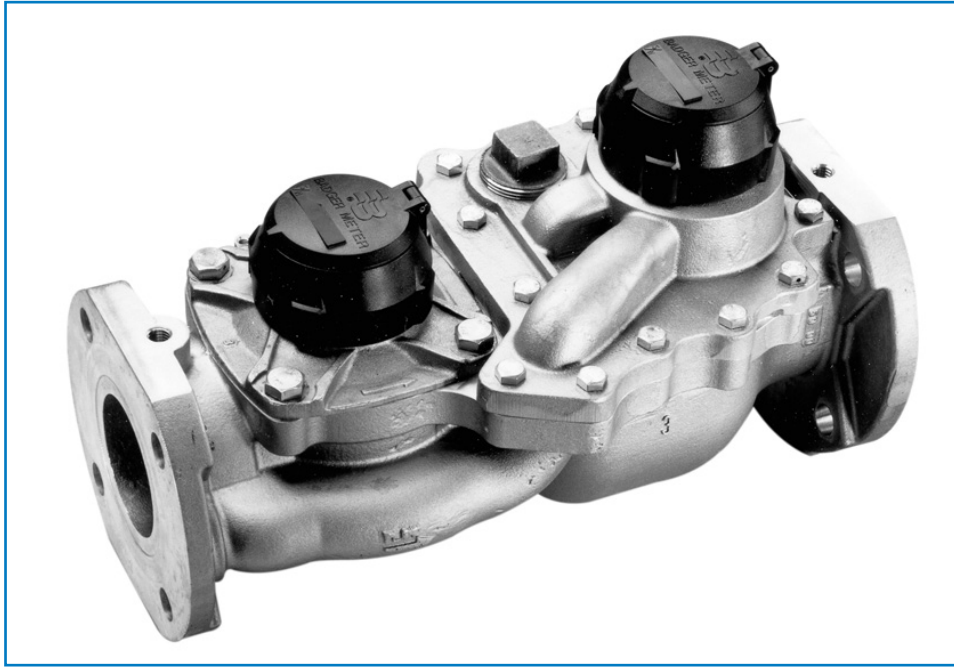
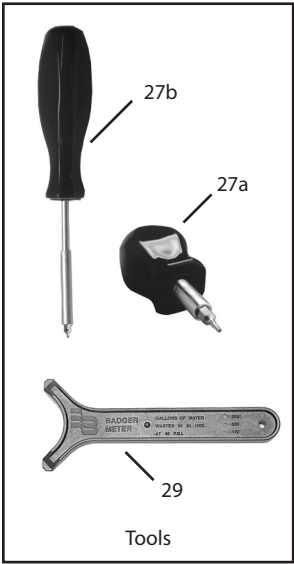
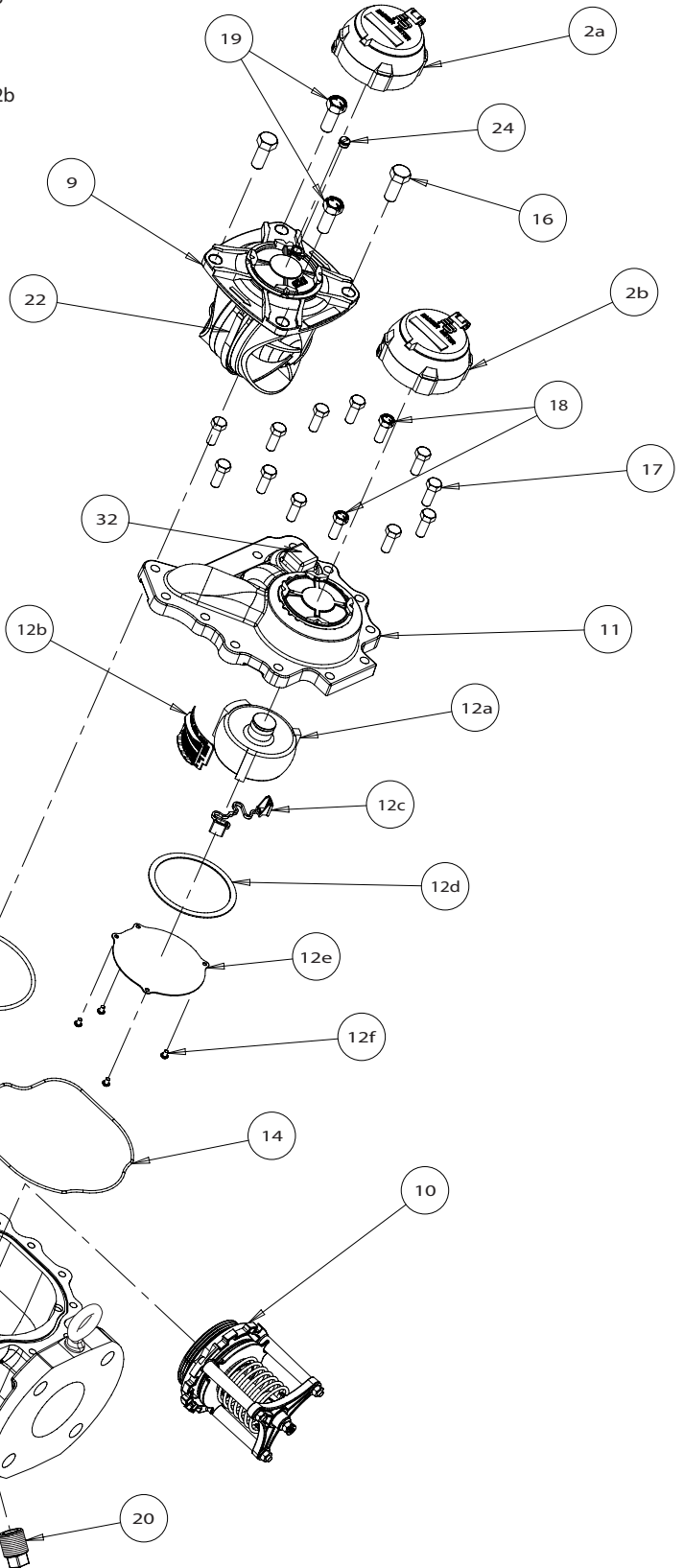
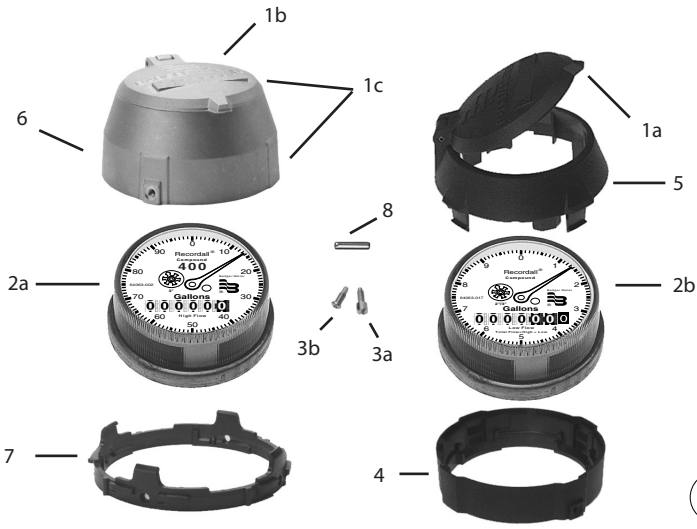




**Badger Meter**

**Recordall®**  
**Compound Series Meter**  
**Sizes 2", 3", 4", and 6"**





ITEM	DESCRIPTION	2"	3"	4"	6"
1a	Flat Lid (Plastic)	62278-001	62278-001	62278-001	62278-001
1b	Flat Lid (Bronze)	62353-001	62353-001	62353-001	62353-001
1c	Flat Lid and Shroud (Bronze)	62616-001	62616-001	62616-001	62616-001
2a	High Flow Register, 100 Gal. T. C.	64063-001	64063-002	64063-003	-----
2a	High Flow Register, 10 Cubic Ft. T.C.	64063-005	64063-006	64063-007	-----
2a	High Flow Register, 1 Cubic Meter T. C.	64063-009	64063-010	64063-011	-----
2a	High Flow Register, 1000 Gal. T.C.	-----	-----	-----	64063-004
2a	High Flow Register, 100 Cubic Ft. T.C.	-----	-----	-----	64063-008
2a	High Flow Register, 10 Cubic Meter T.C.	-----	-----	-----	64063-012
2b	Low Flow Register, 10 Gal. T.C.	64063-017	64063-017	64063-018	64063-018
2b	Low Flow Register, 1 Cubic Ft. T.C.	64063-019	64063-019	64063-020	64063-020
2b	Low Flow Register, 0.1 Cubic Meter	64063-021	64063-021	64063-022	64063-022
3a	Screw Tamper-resistant, standard	62335-001	62335-001	62335-001	62335-001
3b	Tamper Resistant TORX® Seal Screw	62516-001	62516-001	62516-001	62516-001
4	Plastic Shroud (Bottom Half)	62279-001	62279-001	62279-001	62279-001
5	Plastic Shroud (Top Half)	62280-001	62280-001	62280-001	62280-001
6	Bronze Shroud (For Flat Lid)	62442-001	62442-001	62442-001	62442-001
7	Pls. Insert for Flat Lid Brz. Shroud	62455-001	62455-001	62455-001	62455-001
8	Flat Lid Hinge Pin	59568-003	59568-003	59568-003	59568-003
9a	Head Assembly Turbo (81 Metal)	63010-002	63010-003	63010-004	63010-005
9b	Head Assembly Turbo (LL)	63010-025	63010-026	63010-027	63010-028
10	Valve Assembly	64128-001	64066-001	64131-001	64134-001
	Door Seal - Valve Assembly (Not Illustrated)	64075-001	64075-002	-----	-----
11a	Machined Cover (81 Metal)	64107-001	64070-001	64111-001	64115-001
11b	Machined Cover (LL)	64107-003	64070-003	64111-003	64115-003
12a	Chamber Assembly	33334-023	33334-023	33334-056	33334-056
12b	Screen	64081-001	64081-001	64142-001	64142-001
12c	Chamber Strap	58540-001	58540-001	58540-001	58540-001
12d	Gasket	11071-033	11071-033	59782-001	59782-001
12e	Cover Plate	64080-001	64080-001	64141-001	64141-001
12f	Screw	55115-001	55115-001	55115-002	55115-002
13	O-Ring EPDM,	64083-006	64083-002	64083-008	64083-010
14	O-Ring EPDM,	64083-007	64083-003	64083-009	64083-011
15	Lock Pawl	64078-001	64078-001	64078-001	64078-001
16	Bolt Hex. Hd.	55031-060	55031-116	55031-116	55031-117
17	Bolt Hex. Hd.	55031-060	55031-060	55031-116	55031-117
18	Seal Bolt Hex. Hd.	25421-043	25421-043	25421-034	25421-044
19	Seal Bolt Hex. Hd.	25421-043	25421-034	25421-034	25421-044
20	Drain Plug	33879-015	33879-015	33879-015	33879-015
21	Housing (Round Flanges) (81 Metal)	64105-001	64068-001	64109-001	64113-001
21a	Housing (Round Flanges) (LL)	64105-003	64068-009	64109-005	64113-005
21b	Housing (Elliptical Flanges) (81 Metal)	64127-001	-----	-----	-----
21c	Housing (Elliptical Flanges) (LL)	64127-003	-----	-----	-----
22	Cage Seal	62924-001	62924-002	62924-002	62924-003
23	O-Ring	62754-002	62754-003	62754-003	62754-004
24	Calibration Plug	62793-001	62793-001	62793-001	62793-001
25	Lifting Ring (optional)	62736-001	62736-001	62736-001	62736-001
26	Dummy Cover Plate (Not Illustrated)	63190-001	63190-001	63194-001	63194-001
27a	Torx Seal Screw Driver and Bit (Stubby)	62658-001	62658-001	62658-001	62658-001
27b	Torx Seal Screw Driver and Bit (Long)	62658-003	62658-003	62658-003	62658-003
28	Torx Seal Screw Driver Bit (Not Illustrated)	62657-001	62657-001	62657-001	62657-001
29	Plastic Shroud Disassembly Tool	62346-001	62346-001	62346-001	62346-001
30	Flange Adapter Kit (2" Elliptical Fl.)	64186-001	-----	-----	-----
30	Flange Adapter Kit (Round Fl.)	64186-002	-----	64186-003	-----
31	Door Seal Replacement Tool Kit	64201-001	64201-001	-----	-----
32	Test Plug	33879-014	33879-014	33879-012	33879-012

Recordall® is a registered trademark of Badger Meter, Inc.

© 2012 Badger Meter, Inc. All rights reserved.

---



Due to continuous research, product improvements and enhancements, Badger Meter reserves the right to change product or system specifications without notice, except to the extent an outstanding contractual obligation exists.

---

**Badger Meter | P.O. Box 245036, Milwaukee, Wisconsin 53224-9536**  
**800-876-3837 | [infocentral@badgermeter.com](mailto:infocentral@badgermeter.com) | [www.badgermeter.com](http://www.badgermeter.com)**