

GENERAL

Badger Meter Inc. developed the Magnetoflow® 7500P Mag Meter, a successful combination of the most advanced electromagnetic flow metering technology with the simplicity and ruggedness of Badger Meter's proven Batching Systems for Industrial Applications.

Based on Faraday's Law of electromagnetic induction, the Magnetoflow® 7500P Mag Meter can accurately measure and control most of the batching needs in the Industrial Market. Its completely open cross-section flow tube design with no moving parts, makes it the ideal metering device for batching of a wide range of Industrial fluids.

Where other metering technologies fail due to the presence of solids in suspension in the process water, Magnetoflow® 7500P is designed to perform for many years of trouble-free operation with an accuracy of $\pm 0.5\%$ or better.

The built-in "Pulse Scaler" (a Badger Meter Inc. exclusive proven design), features easy-to-use rotary switches for batch accuracy compensation, making the Magnetoflow® 7500P the most straight-forward metering system available in the Industry.

OPERATION

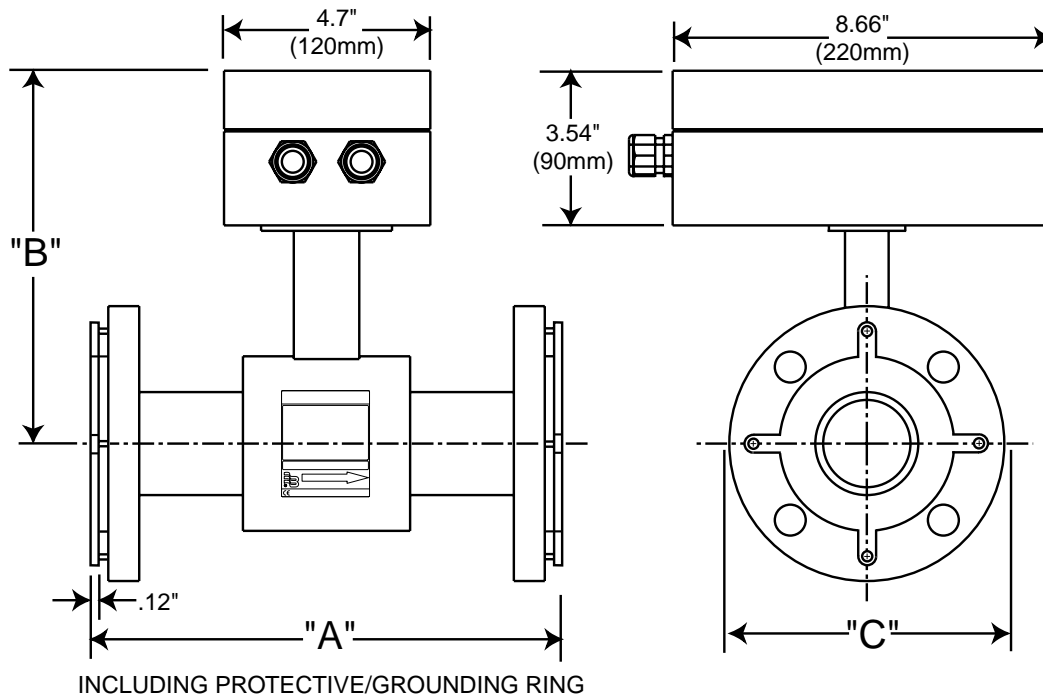
The 7500P Mag meter is a stainless steel flow tube with an internal isolating lining. Two electromagnetic coils are located outside the flow tube, diametrically opposed to each other and protected by a carbon steel housing. Two electrodes, inserted into the flow tube, are positioned "flush" with the internal diameter of the tube and perpendicular to the coils. The coils are energized by a pulsed DC voltage provided by the electronic converter, and a magnetic field is generated across the flow tube section. According to Faraday's law, when this magnetic field is "cut" by the conductive liquid flowing through the meter, a voltage is generated in the liquid. This voltage is directly proportional to the liquid flow velocity, and therefore to the actual volumetric flow rate of the liquid. The electronic converter measures this voltage, processes the signal, and provides two digital pulse outputs, scalable to the desired volumetric value. These digital pulse outputs can be connected to a batch controller, a totalizer display unit for monitoring purposes, or to both devices simultaneously.

Magnetoflow® 7500P operation is not affected by a moderate presence of most suspended solids in the liquid. Variations of liquid temperature, viscosity or density have no influence in its principle of operation. A set of convenient, field proven pulse scaler rotary switches are provided for easy and straight-forward batch accuracy compensation.

**Model 7500P Mag Meter****FEATURES**

- Unaffected by the presence of suspended solids in the liquid.
- Open cross-section design: no pressure loss, no moving parts, no maintenance required.
- Pulsed DC magnetic field for maximum zero point stability.
- Rugged, Surface Mount technology electronics for reliable, long life operation.
- NEMA 4 standard enclosure.
- Two standard pulse outputs: solid state relay and open collector output, compatible with most of existing Batch Controllers and/or Totalizer Displays.
- Standard $\pm 0.5\%$ of rate accuracy.
- $\pm 0.2\%$ repeatability.
- Built-in rotary switches for easy batch accuracy compensation.





Meter Size	A		B		C		Flow Range			
							GPM		LPM	
inches	inch	mm	inch	mm	inch	mm	min	max	min	max
1/2"	6.94	176	8.12	207	3.5	89	1	20	3.8	76
1"	9.14	231	8.12	207	4.3	108	3	80	11.4	303
2"	10.0	254	9.13	232	6.0	152	10	320	37.9	1211
3"	12.0	305	9.84	250	7.5	191	22	690	83.3	2612
4"	14.0	356	10.12	257	9.0	229	40	1300	151.4	4921

SPECIFICATIONS

Detector:

Working pressure: 150 PSI (10 Bar)

End Connections: ANSI 150# carbon steel flanges.

Flow tube Material: AISI 316 stainless steel.

Housing and flange material: Carbon steel, enamel paint finishing.

Liner Material: PTFE.

Electrode material: Alloy C.

Maximum Liquid Temperature: 212°F (100°C).

Amplifer:

Power Supply: 110 VAC ±10%, 5 VA.

Coil excitation: Pulsed DC, 7.5 Hz.

Minimum liquid conductivity: 5 micromhos/cm.

Maximum output frequency: 10 kHz.

System accuracy: ±0.5% of rate.

Repeatability: ±0.2%

Enclosure: Powder coated cast aluminum, NEMA 4.

Mounting: Meter mounted only.

Environmental: -4°F to 122°F (-20° to 50°C).

Output 1: Solid state relay up to 230V, 500 mA.

Output 2: Opto-isolated open collector, 50 mA @ 24VDC.

Flow Direction: Unidirectional.

Pulse Width: 50% duty cycle.

Cable Connections: (2) 1/2" NPT. cord grip.



Please see our website at
www.badgermeter.com
 for specific regions and contacts.

Due to continuous research, product improvements and enhancements, Badger Meter reserves the right to change product or system specifications without notice, except to the extent an outstanding bid obligation exists.



BadgerMeter, Inc.

P.O. Box 245036, Milwaukee, WI 53224-9536

Telephone: (414) 355-0400 / (877) 243-1010

Fax: (414) 355-7499 / (866) 613-9305

www.badgermeter.com